



## PRODUCT PORTFOLIO

INDEPENDENT  
AFTERMARKET





# PRODUCT PORTFOLIO FOR THE INDEPENDENT AFTERMARKET

**Whether for doors, engine hoods, cabins, glove compartments, or tailgates – any part of a vehicle that moves should also securely maintain its position. And likewise, it should close smoothly, quietly, and gently.**

For OE manufacturers, it's a question of their image and standard of quality – for us, it's a promise that's part of our products, and one that we deliver on every day. And that didn't just start today – we've been one with the industry ever since Stabilus began. It's with good reason that practically all established brands in the world partner with us.

As many of our products look very similar from the outside, this brochure is intended to give you an overview. It explains what makes each product special, where it is used and why you can count on our quality promise.

## PRODUCT OVERVIEW

<b>LIFT-O-MAT®</b>	LIFT-O-MAT ..... 4
<b>STAB-O-SHOC®</b>	STAB-O-SHOC ..... 5
<b>HYDRO-LIFT®</b>	HYDRO-LIFT ..... 6
<b>INTER-STOP®</b>	INTER-STOP ..... 6
<b>BLOC-O-LIFT®</b>	BLOC-O-LIFT ..... 6
<b>FEDERBEIN</b>	FEDERBEIN ..... 7
<b>POWERISE®</b>	POWERISE ..... 7



# STABILUS LIFT-O-MAT

①



**LIFT-O-MAT DD**  
with dynamic damping

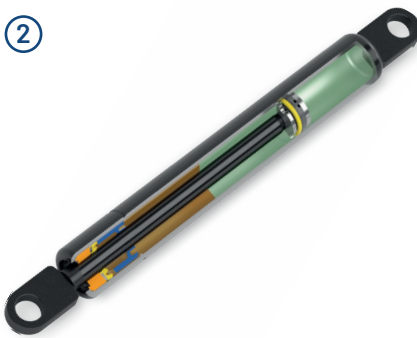


Thanks to the design of the groove, the Stabilus LIFT-O-MAT with dynamic damping allows perfect control of the extension speed and a damped approach to end positions in any installation position.

**Applications:**

- Tailgates
- Bonnets
- Cab doors

②



**LIFT-O-MAT HD**  
with hydraulic damping



The Stabilus LIFT-O-MAT with hydraulic damping ensures optimum weight equalisation when opening and closing flaps and offers good damping in the end position range.

**Applications:**

- Storage space and luggage hatches
- Cab windows
- Bonnets

③



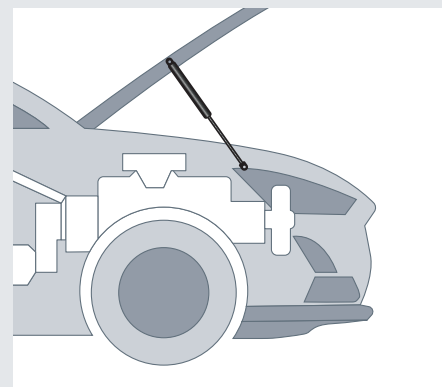
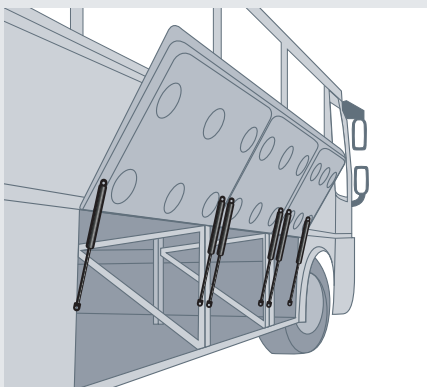
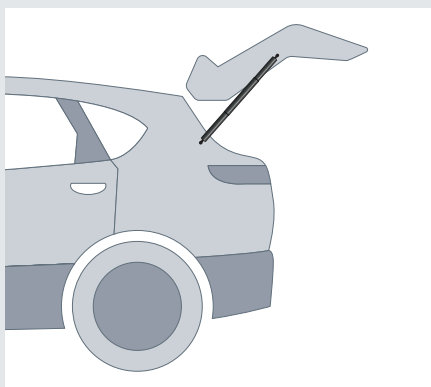
**LIFT-O-MAT DD**  
with telescopic tube



The Stabilus LIFT-O-MAT with telescopic tube allows the gas spring to be extended using a plastic tube.

**Applications:**

- Bonnets
- Service flaps



# STABILUS

## LIFT-O-MAT / STAB-O-SHOC

④



**LIFT-O-MAT**  
with locking tube



The Stabilus LIFT-O-MAT with end position lock offers a secure, mechanical locking of the application in the extended position in addition to force support.

**Applications:**

- Sales trolleys
- Service hatches
- Pop-up roofs, lifting roofs

⑤



**STAB-O-SHOC**  
with hydraulic tension damping



The Stabilus STAB-O-SHOC with hydraulic tension damping ensures safe, convenient and defined opening and closing of flaps.

**Applications:**

- Glove compartments
- Pick-up tailgate
- Bonnets
- Interior hatches

⑥



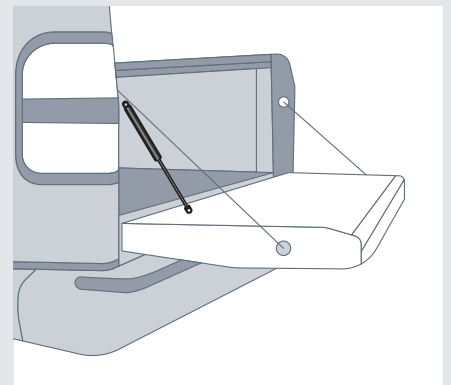
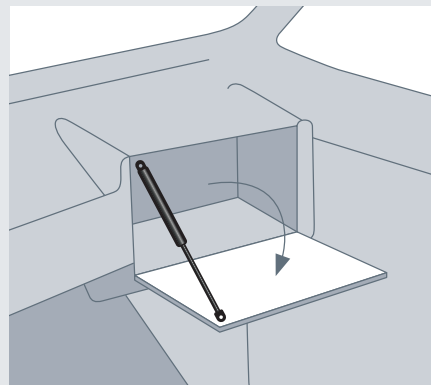
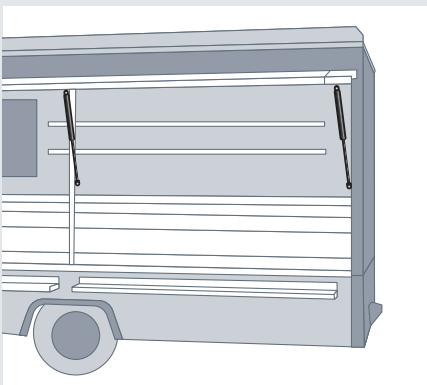
**EZ-DOWN-SYSTEM**  
STAB-O-SHOC and Tension-Gas Spring



The Stabilus-EZ-DOWN-System combines the damping of the STAB-O-SHOC and the force support of the Tension-Gas Spring. With that its easy to move Pick-Up tailgates up and down.

**Applications:**

- Pick-up tailgates
- Furniture and luggage flaps
- Service flaps



# STABILUS

## HYDRO-LIFT / INTER-STOP / BLOC-O-LIFT

7



HYDRO-LIFT



The Stabilus HYDRO-LIFT is a gas spring with increased holding force and, in addition to force support, enables stepless positioning without the use of a release mechanism.

**Applications:**

- Bonnets
- Heavy service flaps
- Adjustable consoles

8



INTER-STOP

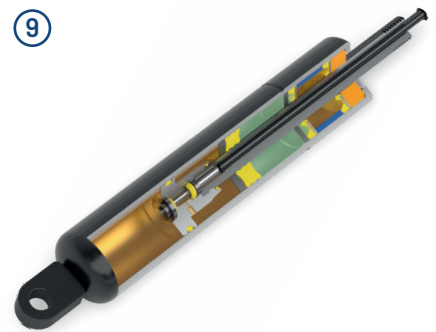


The Stabilus INTER-STOP allows the application to be positioned at different opening angles thanks to defined stop areas.

**Applications:**

- Tailgates
- Bonnets
- Cab doors

9



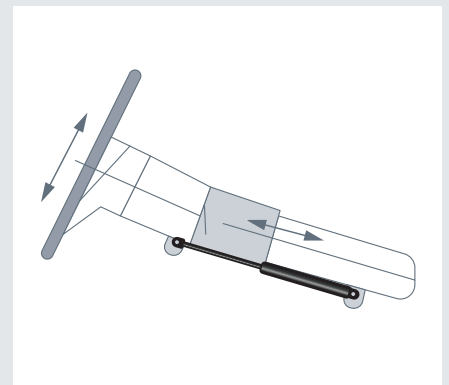
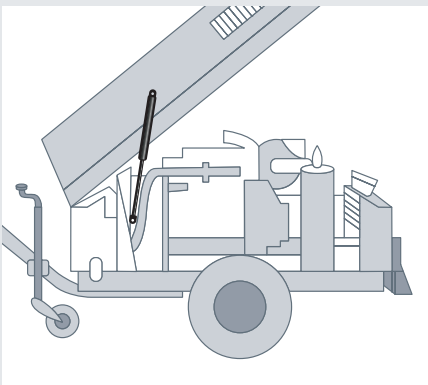
BLOC-O-LIFT



In addition to the typical gas spring features such as adjustment and damping, the Stabilus BLOC-O-LIFT offers the additional feature of stepless locking with the aid of a release mechanism.

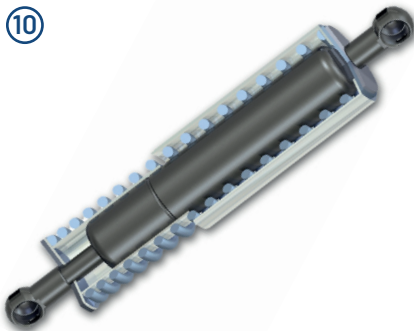
**Applications:**

- Passenger seats
- Steering columns
- Armrests and consoles



# STABILUS FEDERBEIN / POWERISE

10



**FEDERBEIN**



The Stabilus suspension strut combines the advantages of a gas spring with those of a mechanical coil spring. This allows higher weights to be moved with less temperature dependency.

**Applications:**

- Tailgates
- In SUVs often together with POWERISE
- Engine bonnets
- Service flaps

11



**POWERISE coaxial**



The POWERISE in coaxial design is an electromechanical drive for the automatic opening and closing of tailgates. It is the most frequently installed drive for the electrical positioning of tailgates.

**Applications:**

- Car tailgates and boot lids
- Cab doors
- Pop-up roofs, lifting roofs

12



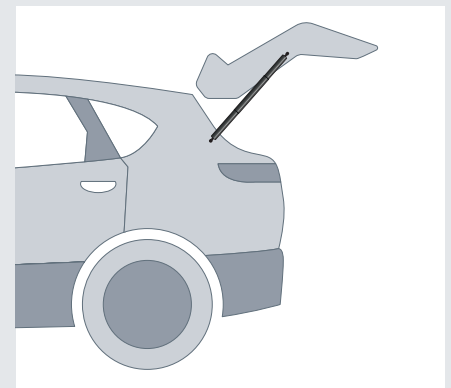
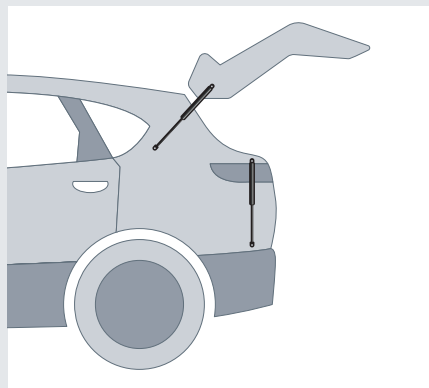
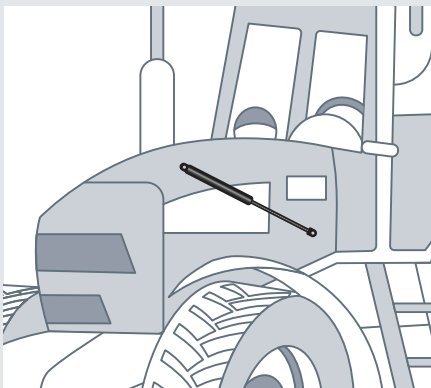
**POWERISE parallel-axis**



The POWERISE in parallel-axis design is an electromechanical drive for the automatic opening and closing of flaps. This actuator can handle short overall lengths, so it is often used in saloon cars.

**Applications:**

- Car boot lids
- Cab doors



## Stabilus GmbH

Wallersheimer Weg 100

56070 Koblenz

Germany

T +49 261 - 8900-0


[aftersales@stabilus.com](mailto:aftersales@stabilus.com)

[www.stabilus.com](http://www.stabilus.com)

QR code takes you to our  
International Locations



 [LinkedIn @stabilus](#)

 [Facebook @stabilus](#)